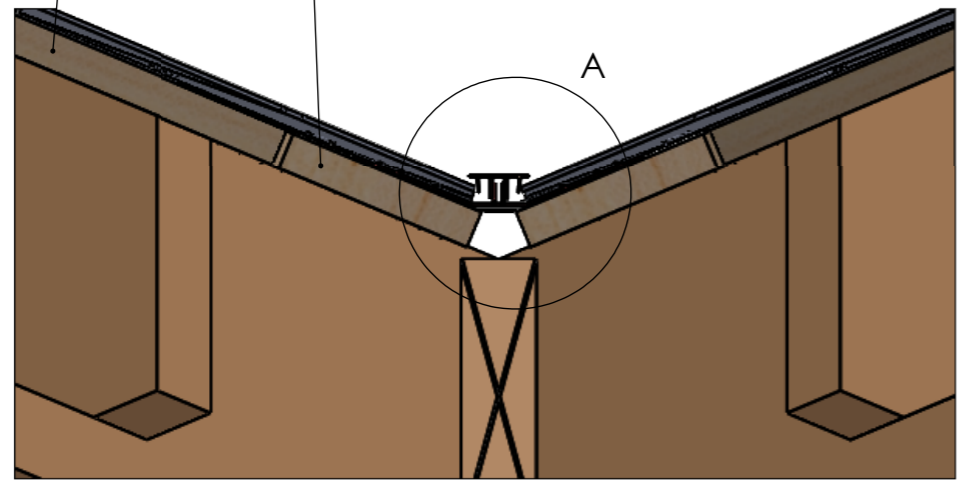
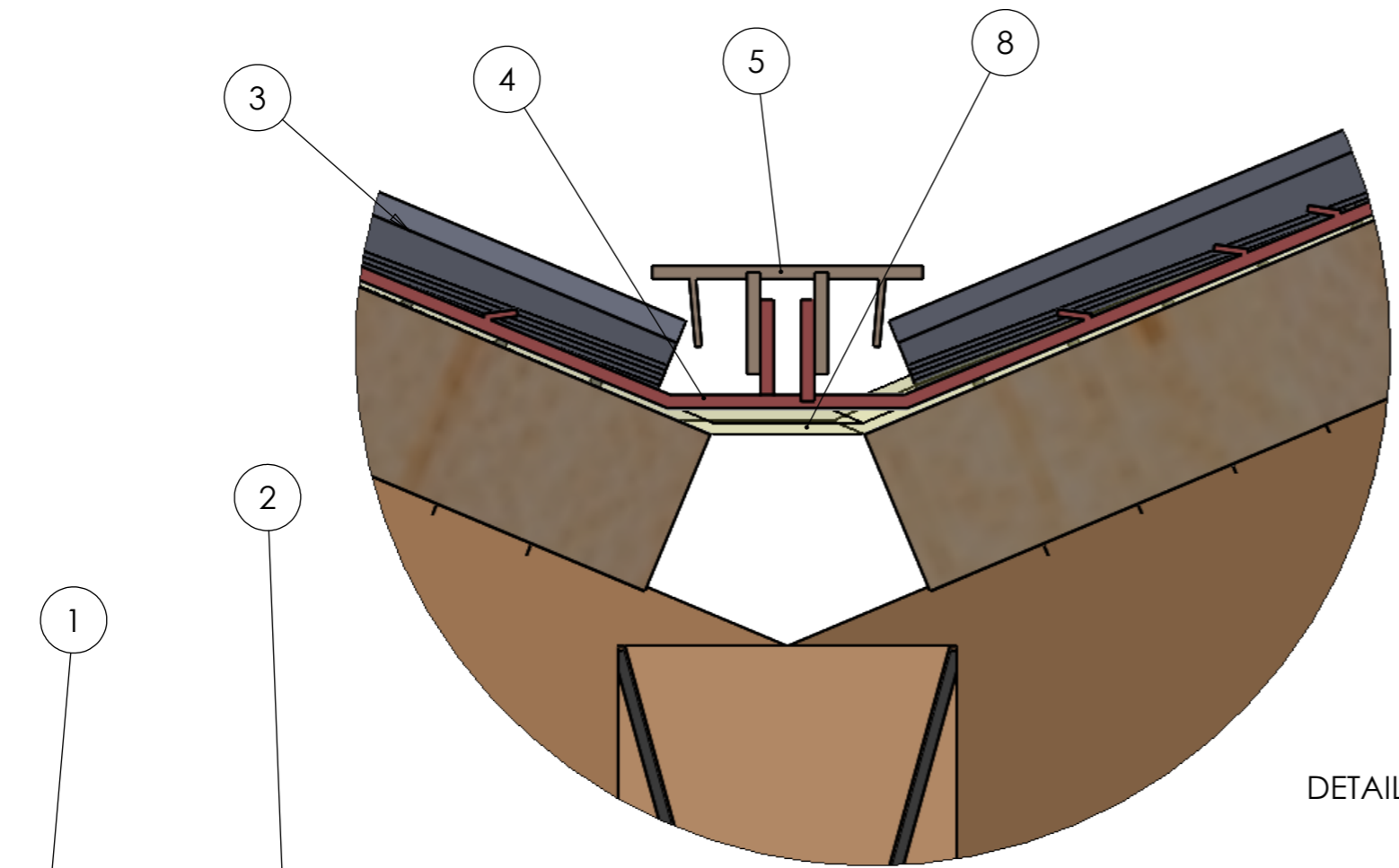
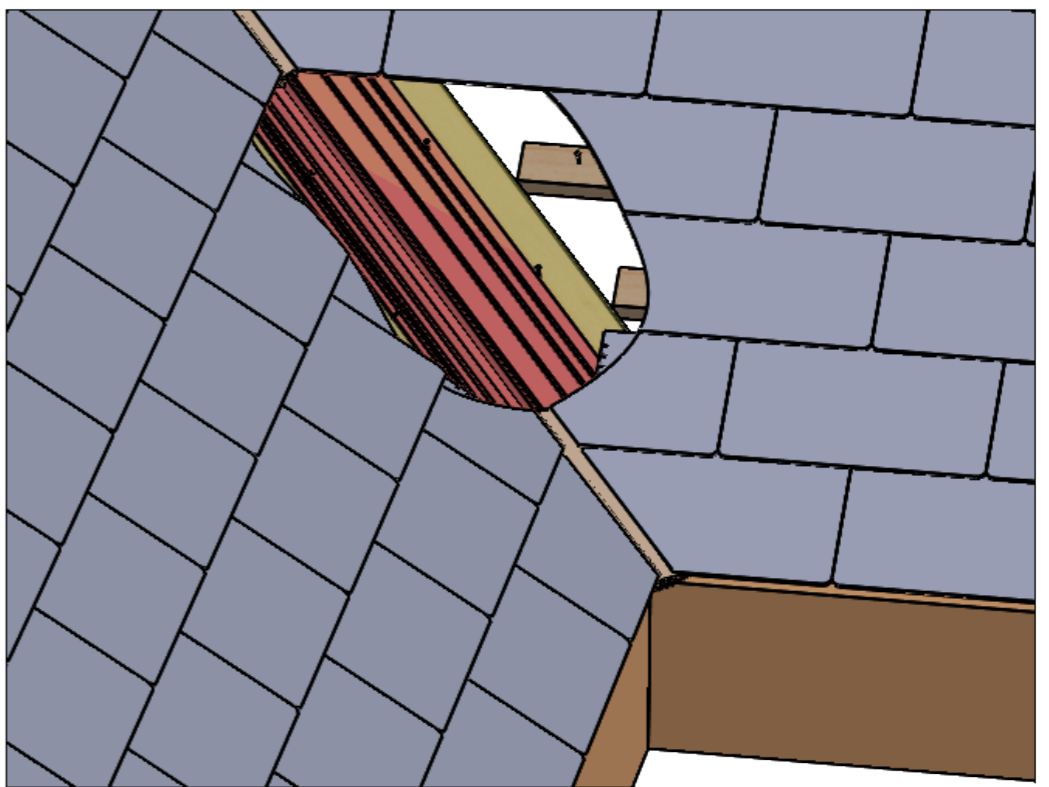


ITEM	DESCRIPTION	DETAIL
1	Tile batten	50x25mm
2	Layboard	
3	Lite slate	
4	Valley flashing	
5	Valley capping	
6	Membrane	



DETAIL A

BRITMET
 LIGHTWEIGHT ROOFING
 Britmet Tileform Ltd
 Kingfisher House, Unit 17
 Overthorpe Road, Banbury, OX16 4SX

DO NOT SCALE DRAWING	REVISION
TITLE: Liteslate Typical valley detail	
DWG NO. LS-Vall-01-A	
SCALE: DNS	SHEET 1 OF 1

NAME	DATE	MATERIAL:
DRAWN		
CHK'D		

A3